

# Laser Alignment Services

**UK & Worldwide**

Nicol & Andrew Plc provide Laser alignment services and equipment to help ensure your items of industrial or marine plant operate at maximum efficiency.

## How You Benefit By Laser Alignment Services

- Reduced maintenance costs
- Increased productivity
- Extended shaft / crankshaft life
- Reduced stress on couplings
- Reduced wear on bearings and seals
- Reduced vibration levels
- Reduced friction and energy consumption
- Fast and accurate diagnosis in-situ

## Laser Straightness Measurement

Nicol & Andrew can measure straightness profiles of machine bases and turbine casings etc. in two axes. We use the laser beam as a reference and the distance deviation between the laser beam and the measurement object is measured in two *or more* positions.

## Laser Shaft Alignment

Using highly advanced and precise *dual* laser alignment equipment Nicol & Andrew can quickly diagnose and improve the running condition and reliability of your machines. Shaft alignment is one of the mission critical components for optimum performance. Shaft alignments can be measured, aligned and documented in record time.

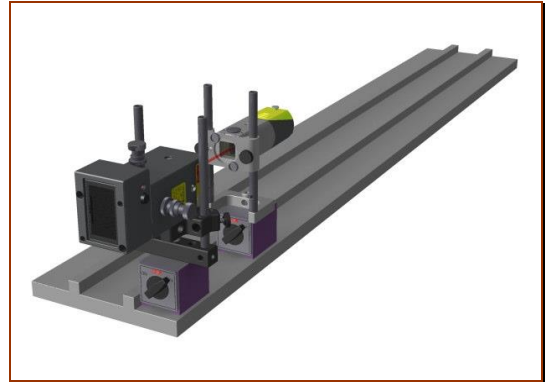
## Laser Bore Alignment

Nicol & Andrew can perform detailed precision on site laser surveys of misaligned bores in pumps, compressors, engine blocks, turbine casings, press housings and gearboxes. Fast accurate results are obtained and presented in an easy to understand manner.

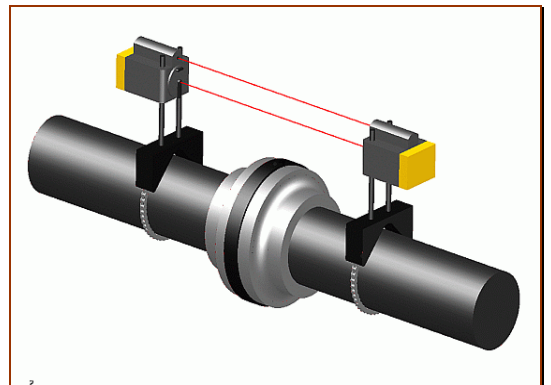
## Laser Circular Flatness Measurement

Nicol & Andrew carry out circular flatness measurements on machine tables, foundations, engine bedplates, flanges, slewing bearings, mounting surfaces for thrusters, rudders as well as surfaces for thrust bearings.

## Laser Alignment Examples



Laser Straightness Measurement



Laser Shaft Alignment



Laser Bore Alignment

**Available UK and Worldwide**

UK Agents For



Laser Alignment Equipment

### To contact us:

Tel: 01494 429800

Email: [laser@nicolandandrew.com](mailto:laser@nicolandandrew.com)

Web site: <http://www.laseralignment.co.uk>



ISO 9001 2008  
Approved



### Nicol & Andrew Group

Oakridge Road  
High Wycombe  
Buckinghamshire HP11 2PF  
Tel: 01494 429800 Fax: 01494 415599

2 Mossland Road  
Hillington Industrial Estate  
Glasgow G52 4XZ  
Tel: 0141 882 4724 Fax: 0141 883 3350